



Portable PV Background Stand

This portable free-standing support stand for background paper is perfect for the studio, on location and in the home.

Folding tripod legs permit easy handling and compact storage.

Crafted of anodized aluminum in 3 sections.

Weighs only 11 lbs.

Requires no tools for assembly.

Expands from 4ft. 3" to 8ft. 4" high and from 60" to 115" wide.



GVP100 Samigon "PV" Background Stand 60115



Portable Background Support B-900

A lightweight, heavy-duty, background support.

The 3-section, 9ft. cross bar, and two 9 ft. stands will support a 30lb. background, yet only weighs 10lbs.

Comes in a durable padded carrying case.

A must for the mobile photographer.



CSA495 B-900 Portable Background Support

Testrite Accessories for Background Stands

CTE389 Pair of Extra Roll Holders BS-48A-1
CTE394 3-Section Crossbar- 59" to 155" BS50C3

Dalite Deluxe Background Stand, DL/BG-3CB

With 3 cross bars and 2 upright columns.

Includes 2 pair BG-A clamps.

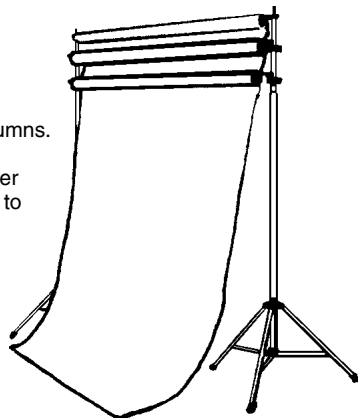
Constructed of aluminum with a silver finish. Height is adjustable from 54" to 98" and collapses to 52".

Width of cross bar is 56" to 151".

DL/BG-1CB

(Not pictured)

Deluxe background stand with 1 cross bar and 2 upright columns. Heavy-duty tripod brace.



CWS272 Deluxe background stand DL/BG-3CB
CWS269 Deluxe background stand DL/BG-1CB

Dalite Background Support

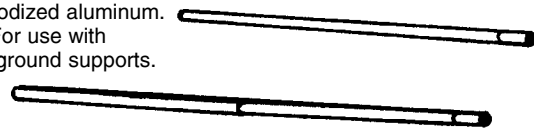
A basic background stand with one cross bar and two upright columns. Height is adjustable from 51" to 100". Collapsed height is 66". Width of cross bar is 63" to 116". Chrome uprights with black base. Steel construction.



CWS271 Background Support BGS

Dalite Crossbars

Silver satin anodized aluminum. Telescoping. For use with all Dalite background supports.

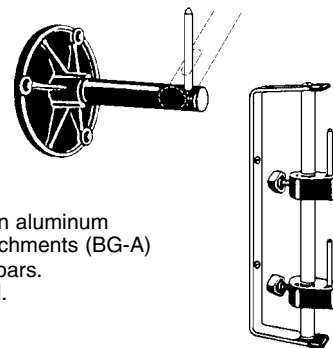


CWS274 2-Section Crossbar- 63" to 116" 2-CB
CWS276 3-Section Crossbar- 56" to 151" 3-CB

Dalite Wall Mount Background Support

BG-M1:

Consists of two 4½" diameter aluminum castings, each with a 3/8" x 2¼" long stud to support an optional crossbar. Can be used as a light mount.



BG-M2:

Features a pair of anodized satin aluminum wallmounts and two sets of attachments (BG-A) to accommodate optional crossbars. Optional third set may be added.

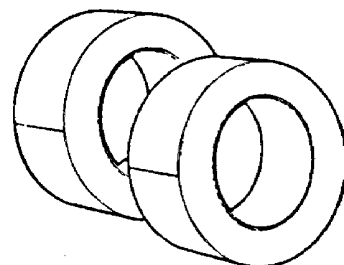
CWS280 Wall mount background support BG-M1
CWS282 Wall mount background support BG-M2

ARGRAPH Gaffer's Tape

A MUST HAVE item for every photographer. Argraph Gaffer's Tape is the finest available. This extra wide tape allows clean removal and easy hand tearing. 2" x 60yds. Sleeved 6 per color; 24 pieces per case.

For a multitude of uses:

- Temporary mounting of lighting fixtures.
- Moisture & Dust-proof sealing of equipment cases and film containers.
- Securing electric cables on the floor.



GRG660 Matte Gray
GRG662 Matte Black
GRG664 Matte White

PERSONAL SERVICE IS OUR #1 PRIORITY



East: 111 Asia Place, Carlstadt, NJ 07072
West: 4055 W. Shaw Ave.#105, Fresno, CA 93722

(201) 939-7722
(559) 277-3572

FAX: (201) 939-7782
FAX: (559) 277-3574