



### TENSION CONTROL BALL HEADS (TCB)

Iston Ball Heads are finely machined from aluminum alloy to give years of professional use. Models with Quick Release accept Hasselblad and Mamiya cameras directly, and all other cameras with the use of an adapter plate which is provided.

Designed for maximum convenience during photo shoots. The tension control provides adjustable friction for both the ball movement and panning action. With a minimum friction enough to hold the camera without locking, photographers are freed from constant locking/unlocking while shooting.

#### Medium Ball Head, TCB-8V

With extra-large top plate. Designed for view cameras. Brass 1/4" - 3/8" bushing adapter included.

Height: 4"  
 Top Plate: 3" Diameter, Base: 1 3/4" Diameter  
 Ball: 1 1/2" Diameter  
 Screw: 3/8" (top), 3/8" (bottom)  
 Weight: 585 gram (1.3 lbs.)  
 Maximum Camera weight: 16 lbs.



BST285 Medium Ball Head

TCB-8V

#### Tripod Adapter, AD-4 for TCB-4 and BH-4 Ball Heads

Allows TCB-4 and BH-4 heads to be used on tripods with larger top plate. Provides clearance for locking screws.

Height: 3/4"  
 Top Platform: 1 1/2" Diameter, Base: 2" Diameter  
 Bushing: 3/8" (top)  
 Screw: 3/8" (bottom)  
 Weight: 85 gram (3oz)



BST327 Tripod Adapter for TCB-4/BH-4

AD-4

#### Tripod Quick Release, QR-1 and QR-10

Automatically lock camera into position. Left hand unlocking lever frees right hand for holding the camera.

Positive locking allows for additional reinforcement. Accepts built-in camera plate from Hasselblad and Mamiya RB-67 cameras. Compact size with compact camera plate. Machined out of high quality aluminum alloy.



	<u>Large QR-1</u>	<u>Small QR-10</u>
Recommended Support:	16 lb.	8 lb.
Dimensions:	2 1/2" x 3 1/4" x 2/3"	2" x 2 3/4" x 2/3"
Weight:	135g (4.8 oz)	133g (4.7ozs)
Bottom Screw:	3/8" with 1/4" adapter	1/4"

BST301 Large Quick Release

QR-1

BST303 Small Quick Release

QR-10

### Mounting Plates for Quick Releases

The QR73 is an extra large plate for QR-1 and QR-10 quick releases.

Height: 3/8"  
 Top Platform: 3" x 3"  
 Screw: 3/8"  
 Ball: 1 1/2" Diameter  
 Weight: 95 gram (3.4 oz)  
 Maximum Camera weight: 16 lbs.



### Standard-size Replacement Plates for Quick Releases

BST312	Small Mounting Plate for QR-10	QR30
BST316	Extra-large plate for quick releases	QR73

### samigon® Snap-Set Grip-Pod

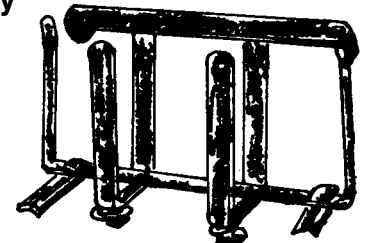
Use as a table-top tripod, camera grip or chest pod. Legs store internally and snap open automatically. Ball & socket head with finger-tip lock. Comfortable 6 1/2" hand grip. Non-skid feet for stability and safety. Height 7 1/2", leg spread 8", weight 7oz. Samigon blister. Master: 10.



BSA575 Snap-Set Grip-Pod

### Testrite Tripod Caddy

Hooks onto legs of all tripods to hold video recorder. Adjustable, expandable. Aluminum black finish, 12 1/2" long, 3 1/2" to 5" deep.



BTE279 Tripod Caddy

STA-2

### samigon® Camera Bushings

Reduces 3/8" tripod thread on camera to 1/4 - 20 tripod thread.

BSA401 Pk/10, Camera Bushings



### samigon® Round D-Ring

BSA961 D-Ring, Round, card/6 pair



**FOR FAST DELIVERY CALL TOLL FREE!**

EAST  
**1-888-ARGRAPH**  
 OR 1-800-526-6290

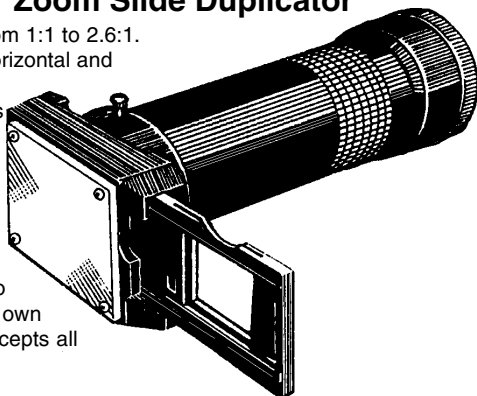
WEST  
**1-888-WESTARG**  
 OR 1-800-323-9069

# B-14

# Slide Duplicators/Clamps/Accessories

## samigon® Zoom Slide Duplicator

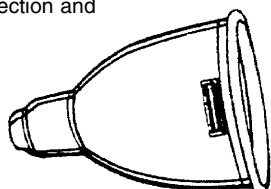
Image magnification from 1:1 to 2.6:1. Duplicator allows for horizontal and vertical movement of slide so that cropping is possible. This allows for enlargement of a portion of the slide, making possible different compositions from the original slide. The unit fits directly into the camera and has its own optical lens system. Accepts all T-Mounts.



BSA712 Zoom Duplicator

## Testrite Bell Reflector, BR-1

Screws into socket to offer protection and reflection of bare copy lights. 5 1/4" diameter, 4" long.



BTE436 Bell Reflector

BR-1

## CPM/Delta Magnetic Base

A powerful magnetic base with 1/4" - 20 tripod and 3/8" and 5/8" stand adapters. Use to lift, secure, position and hold hard-to-handle items. Shown is an 8" x 10" black heavy steel plate with multiple holes. Attaches to walls and tripods.



BCP242230 100 lb. magnetic base 46160

BCP242235 175 lb. magnetic base 46170

## CPM/Delta Effects Kit 1

Four hi-key/low-key vignette effects flags. Produces fade-in/fade-out effects, soft edges, and black or white vignettes. Fits all 4 1/2" square holders and shades.



BCP242190 Effects Kit 1 46120

## CPM/Delta Light Stand Arm

20 different combinations are possible. Flexible for placement of gobos, reflectors, flags, small lights and flash heads with 120° tilt and 360° rotation. Fits male/female 1/4" - 20 tripod threads, male/female 3/8" and 5/8" light stands. Also available with a large clamp.

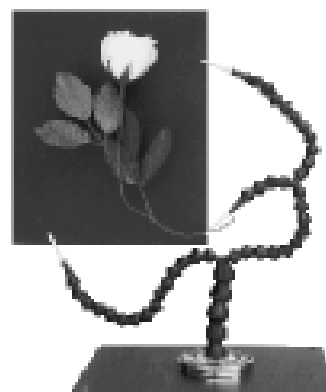
Light Stand Arm with Clamp shown.



BCP242160	Light Stand Arm	46060
BCP242170	Light Stand Arm with Clamp	46070
BCP242130	Single Arm, Dual Large Clamp	46030

## CPM/Delta Dual Arm, Triple Clamp, Magnetic Base, Plate

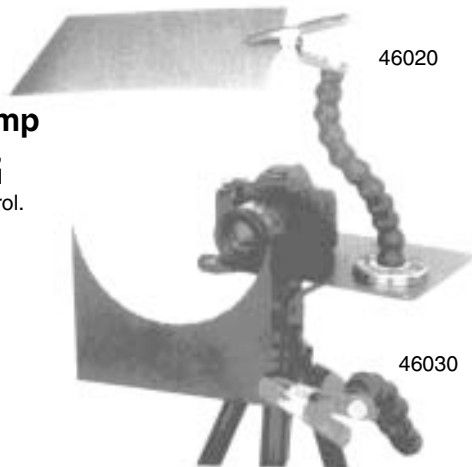
Perfect for table top photography of small objects, etc. 1/2" and 3/4" plastic segmented fittings.



BCP242100	Dual Arm, Triple Clamp, Magnetic Base, Plate	46010
-----------	--	-------

## CPM/Delta Single Arm, Dual Large Clamp

Holds gels, gobos, flags, and reflectors for special effects and lighting control. (Picture shown with Light Stand Arm, BCP242160.)



BCP242110	Single Arm, Clamp, Magnetic Base, Tripod, Wall Plate	46020
BCP242130	Single Arm, Dual Large Clamp	46030

**FOR FAST DELIVERY CALL TOLL FREE!**

EAST  
1-888-ARGRAPH  
OR 1-800-526-6290

WEST  
1-888-WESTARG  
OR 1-800-323-9069